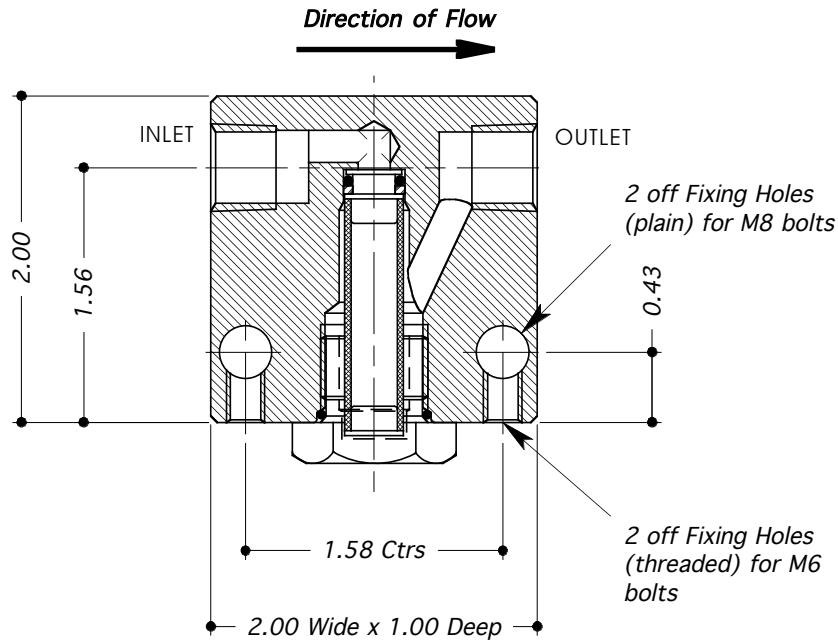


"IN-LINE" FILTER TYPES: EF25, EF37



- STAINLESS STEEL (316 / 1.4404)
- SUITABLE FOR LIQUID OR GAS USE.
- EASY REPLACEMENT FILTERS.
- ALL DIMENSIONS IN INCHES.



TECHNICAL SPECIFICATION			ORDERING EXAMPLE
Filter Type:	EF25	EF37	EF25
Porting / Connection Options:	P = BSP (Parallel)	N = NPT (Taper)	N
Micron Rating:	2.5, 5, 10, 20, 50, 100, 200 M (Microns)		2.5 M
Max. Working Pressure - Liquid	8,000 psi		8K
Max. Working Pressure - Gas	4,000 psi		
Port Size:	1/4"	3/8"	
Seal Material:	Viton (other materials available by request)		
Dry Weight (kg)	0.5		
Working Temperature Range:	-10°C to +120°C		
Filter Area (sq.ins)	1.3		
Filter Element Material:	Stainless Steel (316/1.4404) Rigid Mesh		
Max Diff. Press (DP) Bar (element)	20		